

GRANT CONDENSING BOILER RANGE



Internal and External Oil-Fired Condensing Boilers with outputs from 40,000 to 240,000Btu/h



EFFICIENT HEATING SOLUTIONS

FEATURES:

GRANT VORTEX CONDENSING RANGE

- GRANT CONDENSING INDOOR MODELS
- GRANT CONDENSING INDOOR SYSTEM MODELS
- GRANT CONDENSING INDOOR COMBI MODELS
- GRANT CONDENSING OUTDOOR COMBI MODULES
- GRANT CONDENSING OUTDOOR MODULES
- GRANT CONDENSING BOILER HOUSE MODELS
- GRANT CONDENSING WALL HUNG MODELS

GRANT EUROFLAME CONDENSING RANGE

- GRANT CONDENSING INDOOR MODELS
- GRANT CONDENSING OUTDOOR MODULES
- GRANT CONDENSING BOILER HOUSE MODELS

Grant **Vortex** Condensing Indoor Models

SEDBUK/HARP Efficiency 92.6% to 97%



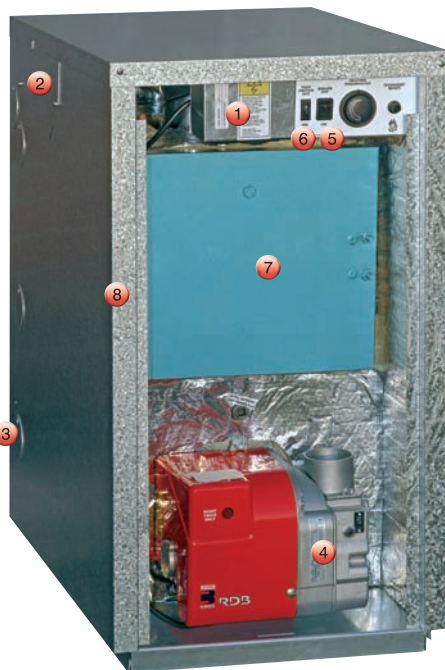
Indoor Models: 50-70 (15-21), 50-90 (15-26), 90-120 (26-36), 120-155 (36-46), 155-200 (46-58) & 200-240 (58-70)

System Models: 50-90 (15-26), 90-120 (26-36), 120-155 (36-46)

- | | |
|-----------------------------|------------------------------------|
| 1 Boiler thermostat | 5 Drain cock |
| 2 Overheat thermostat | 6 Riello RDB burner |
| 3 Boiler On/Off switch | 7 Reversible Heating flow & return |
| 4 Front service access door | 8 Condensate trap |



Model shown: **VORTEX INDOOR 50-70**



Model shown: **VORTEX Module 90-120**

Grant **Vortex** Condensing Outdoor Modules

SEDBUK/HARP Efficiency 92.6% to 97%



Outdoor Models: 50-70 (15-21), 50-90 (15-26), 90-120 (26-36), 120-155 (36-46), 155-200 (46-58) & 200-240 (58-70)

- | | |
|--|-----------------------------|
| 1 Control panel (incorporating Frost Stat) | 5 Mains switch |
| 2 Optional side flue exit | 6 Test switch |
| 3 Optional pipe entry points | 7 Front service access door |
| 4 Riello RDB burner | 8 Galvanised steel casing |

Grant **Vortex** Condensing Boiler House Models

SEDBUK/HARP Efficiency 92.6% to 97%



Boiler House Models: 50-90 (15-26), 90-120 (26-36), 120-155 (36-46), 155-200 (46-58) & 200-240 (58-70)

- | |
|------------------------------|
| 1 Front service access door |
| 2 Boiler/Overheat thermostat |
| 3 Riello RDB burner |



Model shown: **VORTEX Boiler House 50-90**



Grant **Vortex** Condensing **Indoor Combi** Models

SEDBUK/HARP Efficiency 92.2% to 94.2%

Indoor Combi Models: 90 (26) & 120 (36)



- 1 Optional Timer position
- 2 Timed/Constant switches
- 3 LED indicator lights
- 4 Electronic boiler thermostat
- 5 12litre expansion vessel
- 6 Chrome plated piping
- 7 Blending valve
- 8 Pump(Hot water)
- 9 Flexible filling loop
- 10 35 plate heat exchanger
- 11 Primary store drain cock
- 12 Riello RDB burner
- 13 Front door access



Model shown: **VORTEX COMBI 90**

Grant **Vortex** Condensing **Outdoor Combi** Modules

SEDBUK/HARP Efficiency 92.2% to 94.2%

Combi Modules: 90 (26) and 120 (36)



Typical Hot Water Performance

90 (26)*

17 litres per minute at an average temperature of 50°C.

Recovery time is approximately 4 minutes.

Based upon 100 litre draw off.

120 (36)*

20 litres per minute at an average temperature of 50°C.

Recovery time is approximately 3 minutes.

Based upon 100 litre draw off.

Mains Pressure Hot Water

Minimum 2.5bar (36psi)

Maximum 8bar (115psi)

*Hot water flow rate is dependent on mains pressure available. Figures based upon an incoming mains water temperature of 10°C.

- 1 Built-in system pressure gauge
- 2 Overheat thermostat
- 3 Electronic boiler thermostat
- 4 Expansion vessel*
- 5 Chrome plated piping
- 6 Blending valve
- 7 Pump (Hot water circuit)
- 8 Flexible filling loop
- 9 Riello RDB burner

*Size depending on model



Model shown: **VORTEX OUTDOOR COMBI 90**

Grant **Vortex** Condensing **Indoor** Wall Hung Models

SEDBUK/HARP Efficiency 93.8% to 94.9%

Indoor Models: 40-55 (12-16), 55-70 (16-21)

- | | |
|------------------------|--|
| 1 Boiler thermostat | 6 Removable control box |
| 2 Overheat thermostat | 7 Internal condensate trap (not shown) |
| 3 Boiler On/Off switch | 8 Remote lock-out indicator |
| 4 Drain cock | 9 Multi-directional flue options* (not supplied) |
| 5 Burner | |



Model shown: **VORTEX WALL HUNG 55-70**

*Not supplied, see EZ-Fit flue kits

Grant **Vortex** Condensing **Outdoor** Wall Hung Modules

SEDBUK/HARP Efficiency 93.8% to 94.9%

Outdoor Modules: 40-55 (12-16), 55-70 (16-21)

- | | |
|-------------------------|----------------------------------|
| 1 Boiler On/Off switch | 5 Service switch |
| 2 Removable control box | 6 Multi-directional flue options |
| 3 Boiler thermostat | 7 Burner |
| 4 Overheat thermostat | 8 Drain cock |



Model shown: **VORTEX WALL HUNG 55-70**



Grant Euroflame Condensing Outdoor Modules

SEDBUK/HARP Efficiency 92.1% to 93%



Outdoor Models: 50-70 (15-21), 70-90 (21-26), 90-120 (26-35)

- 1 Optional side flue exit
- 2 Optional pipe entry points
- 3 Riello RDB burner (not shown)



Model shown: EUROFLAME OUTDOOR 70-90



Model shown: EUROFLAME BOILER HOUSE 70-90

Grant Euroflame Condensing Boiler House Models

SEDBUK/HARP Efficiency 92.1% to 93%



Boiler House Models: 50-70 (15-21), 70-90 (21-26), 90-120 (26-35)

- 1 Front service access door
- 2 Boiler thermostat
- 3 Overheat thermostat
- 4 Riello RDB burner
- 5 Insulated blue jacket

Grant Euroflame Condensing Indoor Models

SEDBUK/HARP Efficiency 92.1% to 93%



Indoor Models: 50-70 (15-21), 70-90 (21-26), 90-120 (26-35)

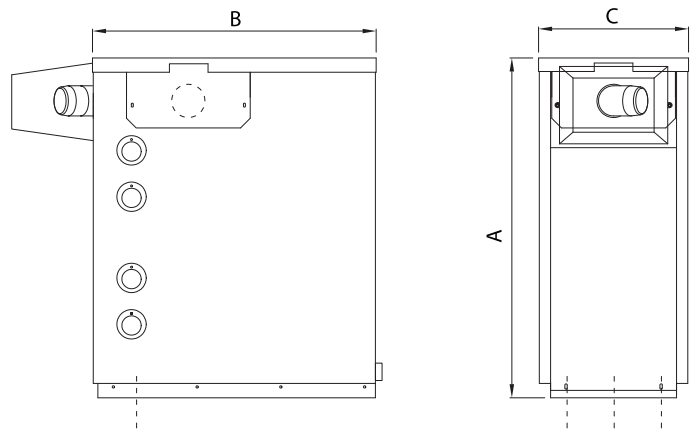
- 1 Boiler thermostat
- 2 Overheat thermostat
- 3 Boiler On/Off switch
- 4 Front service access door
- 5 Drain cock
- 6 Riello RDB burner
- 7 Left and right heating flow and return (not shown)
- 8 Condensate trap



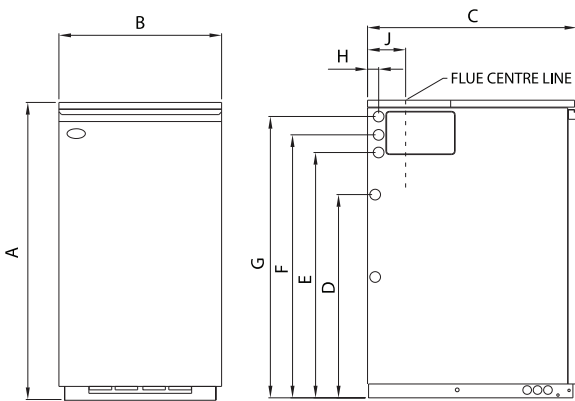
Model shown: EUROFLAME INDOOR 70-90

Dimensional Drawings

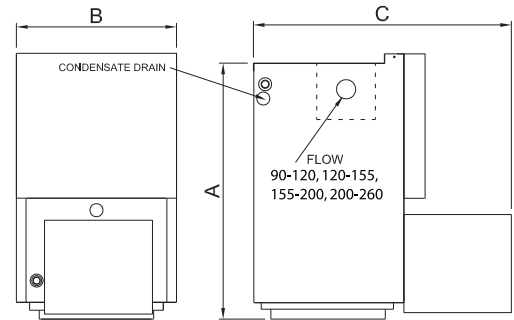
Grant Outdoor galvanised cased modules (Vortex and Euroflame)



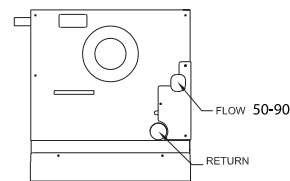
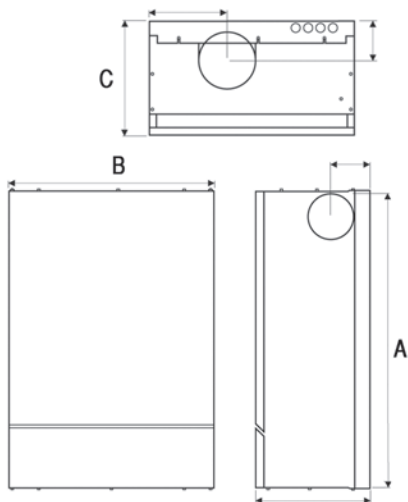
Grant Indoor white cased models (Vortex and Euroflame)



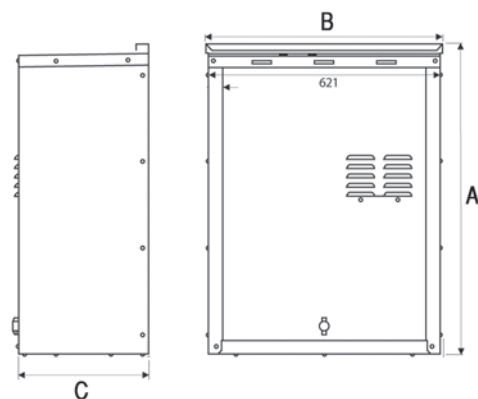
Grant Boiler House blue cased models (Vortex and Euroflame)



Grant Indoor Wall Hung boiler models



Grant Outdoor Wall Hung boiler models



Technical Information

Grant Indoor white cased models (Vortex, Euroflame and Combi)

BOILER TYPE	OUTPUT KW	OUTPUT BTUS	FLOW CONNECTION	RETURN CONNECTION	COLD MAINS	HOT WATER	PRESSURE RELIEF	CONDENSATE PIPE	HEIGHT	WIDTH*	DEPTH	COND. DRAIN	FLOW/RETURN OPENING	FLOW/RETURN OPENING	FLOW/RETURN OPENING	FLOW/RETURN OPENING	FLUE DEPTH
									A	B	C	D	E	F	G	H	J
Vortex 50-70 Utility	15-21	50-70,000	22mm	22mm	-	-	-	21.5mm plastic overflow pipe	855	348	566	594	739	808	-	50	115
Vortex 50-90 Utility	15-26	50-90,000	22mm	22mm	-	-	-		860	470	603	587	710	760	812	40	115
Vortex 90-120 Utility	26-36	90-120,000	28mm	28mm	-	-	-		900	470	603	555	713	774	835	60	115
Vortex 120-155 Utility	36-46	120-155,000	28mm	28mm	-	-	-		900	470	603	555	713	774	835	60	115
Vortex 155-200 Utility	46-58	155-200,000	1 1/4"	1 1/4"	-	-	-		1234	563	786	831	1070	1150	-	50	120
Vortex 200-240 Utility	58-70	200-240,000	1 1/4"	1 1/4"	-	-	-		1234	563	786	831	1070	1150	-	50	120
Vortex 50-90S System	15-26	50-90,000	22mm	22mm	15mm	-	15mm		860	470	603	587	710	760	812	40	115
Vortex 90-120S System	26-36	90-120,000	28mm	28mm	15mm	-	15mm		900	470	603	555	713	774	835	60	115
Vortex 120-155S System	36-46	120-155,000	28mm	28mm	15mm	-	15mm		900	470	603	555	713	774	835	60	115
Euroflame Condensing 50-70 Utility	15-21	50-70,000	22mm	22mm	-	-	-		860	430	603	625	711	794	-	35	115
Euroflame Condensing 70-90 Utility	21-26	70-90,000	22mm	22mm	-	-	-		860	430	603	625	711	794	-	35	115
Euroflame Condensing 90-120 Utility	26-35	90-120,000	22mm	22mm	-	-	-		900	470	603	555	713	774	835	60	115
Vortex Combi 90 (26)	26	90,000	22mm	22mm	15mm	15mm	15mm		860	590	605	587	718	800	-	40	125
Vortex Combi 120 (36)	36	123,000	28mm	28mm	22mm	22mm	15mm		900	615	605	555	715	845	-	55	130

Grant Outdoor galvanised cased modules (Vortex, Euroflame and Combi)

BOILER TYPE	OUTPUT KW	OUTPUT BTUS	FLOW CONNECTION	RETURN CONNECTION	COLD MAINS	HOT WATER	PRESSURE RELIEF	CONDENSATE PIPE	HEIGHT	WIDTH*	DEPTH
									A	B	C
Outdoor Vortex 50-70 Module	15-21	50-70,000	22mm	22mm	-	-	-	21.5mm plastic overflow pipe	879	734*	385
Outdoor Vortex 50-90 Module	15-26	50-90,000	22mm	22mm	-	-	-		908	800*	505
Outdoor Vortex 90-120 Module	26-36	90-120,000	28mm	28mm	-	-	-		908	800*	505
Outdoor Vortex 120-155 Module	36-46	120-155,000	28mm	28mm	-	-	-		908	800*	505
Outdoor Vortex 155-200 Module	46-58	155-200,000	1 1/4"	1 1/4"	-	-	-		1234	945*	584
Outdoor Vortex 200-240 Module	58-70	200-240,000	1 1/4"	1 1/4"	-	-	-		1234	945*	584
Outdoor Euroflame Condensing 50-70 Module	15-21	50-70,000	22mm	22mm	-	-	-		908	800*	505
Outdoor Euroflame Condensing 70-90 Module	21-26	70-90,000	22mm	22mm	-	-	-		908	800*	505
Outdoor Euroflame Condensing 90-120 Module	26-35	90-120,000	22mm	22mm	-	-	-		908	800*	505
Outdoor Vortex Combi 90 (26)	26	90,000	22mm	22mm	15mm	15mm	15mm		945	754*	658
Outdoor Vortex Combi 120 (36)	36	123,000	28mm	28mm	22mm	22mm	15mm		945	754*	658

* = Add 215 for Flue guard

Grant Boiler House blue cased models (Vortex and Euroflame)

BOILER TYPE	OUTPUT KW	OUTPUT BTUS	FLOW CONNECTION	RETURN CONNECTION	CONDENSATE PIPE	HEIGHT	WIDTH*	DEPTH INCLUDING BURNER
						A	B	C
Euroflame Condensing 50-70 Boilerhouse	15-21	50-70,000	3/4" G.B.	3/4" G.B.	21.5mm plastic overflow pipe	715	435	600
Euroflame Condensing 70-90 Boilerhouse	21-26	70-90,000	3/4" G.B.	3/4" G.B.		715	435	600
Euroflame Condensing 90-120 Boilerhouse	26-35	90-120,000	1" G.B.	1" G.B.		715	435	600
Vortex Condensing 50-90 Boilerhouse	15-26	50-90,000	1" G.B.	1" G.B.		714	431	600
Vortex Condensing 90-120 Boilerhouse	26-36	90-120,000	1" G.B.	1" G.B.		705	460	600
Vortex Condensing 120-155 Boilerhouse	36-46	120-155,000	1" G.B.	1" G.B.		705	540	670
Vortex Condensing 155-200 Boilerhouse	46-58	155-200,000	1-1/4" G.B.	1-1/4" G.B.		1022	540	868
Vortex Condensing 200-240 Boilerhouse	58-70	200-240,000	1-1/4" G.B.	1-1/4" G.B.		1022	540	868

Grant Indoor and Outdoor Vortex Wall Hung models

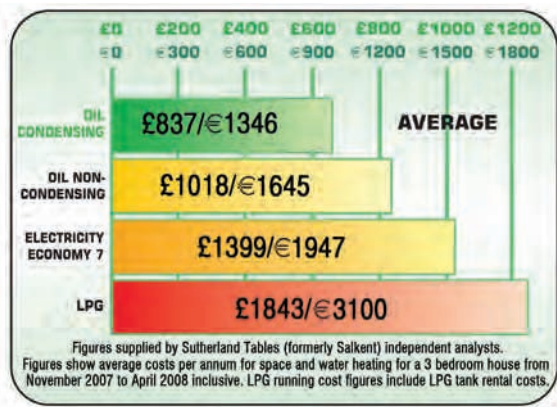
BOILER TYPE	OUTPUT KW	OUTPUT BTUS	FLOW CONNECTION	RETURN CONNECTION	CONDENSATE PIPE	HEIGHT	WIDTH*	DEPTH INCLUDING BURNER
						A	B	C
Wall Hung Condensing Indoor 40-55	12-16	40-55,000	22mm	22mm	21.5mm plastic overflow pipe	845	580	322
Wall Hung Condensing Indoor 55-70	16-21	55-70,000	22mm	22mm		845	580	322
Wall Hung Condensing Outdoor 40-55	12-16	40-55,000	22mm	22mm		840	635	355
Wall Hung Condensing Outdoor 55-70	16-21	55-70,000	22mm	22mm		840	635	355

General Information

Easy to commission, service and maintain

As with all oil-fired appliances, Grant Condensing Boilers require commissioning at the time of installation. This simple process ensures that the boiler is working at peak efficiency which, in turn, will result in lower running costs and long term reliability. Annual maintenance is also made easy by Grant's cleverly designed front service access to both the burner and all the internal serviceable parts. This feature enables Grant Condensing Boilers to be fitted neatly and unobtrusively within either the kitchen, boiler house, or utility room environment. Alternatively, if internal siting is a problem, space-saving outdoor versions are available.

Typical Annual Running Costs



Seasonal efficiency comparisons

Boiler Type	Typical seasonal efficiency	SEDBUK Rating
Typical seasonal efficiency 'older' oil-fired Boiler	65-81.9%	SEDBUK 'D' or less
Typical seasonal efficiency 'standard' oil-fired Boiler	82-85.7%	SEDBUK 'C'
Seasonal efficiency Grant Condensing Boiler	92.1-97%	SEDBUK 'A'

SOURCE: SEDBUK DATABASE

Sedbuk ratings table

90% and above	GRANT CONDENSING	A
86%-90%		B
82%-86%		C
78%-82%		D
74%-78%		E
70%-74%		F
Below 70%		G

The up to the minute guide to gross seasonal efficiencies of domestic boilers in the UK. View online at: www.sedbuk.com



EFFICIENT HEATING SOLUTIONS

GRANT ENGINEERING (IRELAND) LTD
CRINKLE, BIRR, Co. OFFALY, IRELAND
T: (057) 9120089 F: (057) 9121060
E: INFO@GRANTENGINEERING.IE
W: WWW.GRANTENGINEERING.IE

EZ-Fit Flue Systems

All Grant boilers are supplied for connection to one of Grant's EZ-Fit Flue options (modules come supplied with flue terminals). EZ-Fit Flue Kits feature self-sealing ducts which reduce installation time and ensure a perfect seal without the need for mastic or tape. The flue systems are available as low level, high level or vertical kits, for internal and external applications, and even as unique EZ-Flexi Packs, designed to enable condensing boilers to utilise an existing chimney.

Plumbing

Condensing boilers operate at extremely high efficiency levels, producing cool flue gas temperatures, resulting in a 'plume' of vapour being visible at the flue terminal. This plume (steam) is a normal condition of condensing boiler operation and indicates that the appliance is working efficiently. As an alternative to a low level balanced flue kit, high level, or vertical kits are available, which moves the plume to a higher level.

The terminal should be positioned so as to avoid products of combustion accumulating in stagnant pockets around the building or entering into buildings. Care should also be taken that plume from the flue gases does not cause a nuisance.

Fuel

All burners are supplied factory set at the stated output for use on standard grade Kerosene – Class C2. Grant Condensing Boilers are not suitable for use with Class D gas oil.

Installation

Installation must comply with the current Building Regulations. Comprehensive technical information can be found in the installation manual, supplied with every boiler.

Guarantees

The unique heat exchanger on the Grant Condensing Boiler is covered by a 5-year guarantee. All other component parts of the boiler are guaranteed for 1 year from the date of purchase (excluding consumable items), subject to being installed in accordance with the manufacturers instructions. On completion of the installation all Grant Condensing Boilers must be commissioned and the boiler passport returned to Grant Engineering for registration.

After sales service

For peace of mind, all Grant Condensing Boilers are backed by a national network of service engineers.

In the unlikely event of a problem occurring, your installer should telephone our customer service department on: **(057) 9120089**. All images for illustration purposes only.

In accordance with our policy of continual improvement, we reserve the right to amend specifications without prior notice.

Manufactured under I.S. EN ISO 9001. Complies with the EC Low Voltage and Electromagnetic Compatibility and Boiler Efficiency Directives.

TM THE GRANT 'EZ-FIT FLUE' SYSTEM is a Trade Mark of Grant Engineering Ltd.

®Euroflame and Grant Vortex are registered trade marks of Grant Engineering Ltd. The contents of this leaflet are fully protected by copyright and nothing may be reproduced without permission from Grant Engineering (Ireland) Limited.

Other products available from Grant Engineering



Wood Pellet Boilers



Cylinders



Back Boilers



Solar Thermal Water Heating Systems



EZ-Fit Flue Systems

